



**COMPANION METER INSTALLATION APPLICATION (RESIDENTIAL)**

Water & Sewer  
Public Utilities

Web site: [www.co.new-kent.va.us/publicutilities](http://www.co.new-kent.va.us/publicutilities)

Remit with your check to: New Kent County Utilities; 7051 Poindexter Road, New Kent, VA 23124 Phone: (804) 966-9676

Date of Application: \_\_\_\_\_ Date Service to Begin: \_\_\_\_\_

Request Type:  Companion Meter (Residential)  Irrigation Meter (Commercial)

**DESCRIPTION OF PROPERTY**

Subdivision: \_\_\_\_\_ Service Address: \_\_\_\_\_  
Building Permit #: \_\_\_\_\_

**APPLICANT**

Name: \_\_\_\_\_ Federal ID# or SSN: \_\_\_\_\_  
Contact Name: \_\_\_\_\_ Contact Number: \_\_\_\_\_  
Billing Address: \_\_\_\_\_  
City: \_\_\_\_\_ State: \_\_\_\_\_ Zip: \_\_\_\_\_

**COMPANION/IRRIGATION METER INSTALLATION REQUIREMENTS PRIOR TO INSTALLATION:**

- An approved backflow prevention device must be permitted & inspected through the New Kent County Department of Building Development
- The irrigation system design, including estimated flow rate & location of rain sensor, must be approved by New Kent DPU
- A completed & signed Companion Meter Installation Application must be submitted & appropriate fees must be paid
- In certain areas, a Companion Meter Box must be installed by New Kent DPU or by a private utility contractor (working directly for the customer) licensed & bonded to do business in New Kent County. Installation must be in accordance with County Utility Standard Detail #179 & inspected by New Kent DPU.

**EXCLUSIONS:**

- Companion Meters are for residential customer ONLY
- Customer is responsible for connection of the irrigation system to the Companion Meter Box
- All installation & inspection shall be performed during normal County business hours
- Under certain circumstances, installing the companion meter may be beyond the capabilities of DPU (meter boxes located in driveways, on steep slopes, extensive landscaping, etc.) In these instances, DPU reserves the right refund the installation fee to the customer.
- Following installation, DPU will make reasonable efforts to restore work sites to original condition, however, DPU will not be responsible for landscape damage & replacement of (sod, shrubbery, sprinkler heads, etc.)
- Companion Meter Box installations are performed by DPU on a first-in, first-out basis, as the utility maintenance schedule allows. There is no guaranteed time frame for Companion Meter Box installation if performed by DPU

Signature: \_\_\_\_\_ Date: \_\_\_\_\_  
Printed Name: \_\_\_\_\_

**FEES — PLEASE MAKE CHECK PAYABLE TO: NEW KENT COUNTY**

FEES VARY DEPENDING ON COMPANION METER REQUIREMENTS

**Fees for Companion Meter**

Companion Meter Fee:	\$300.00	<b>POSIM</b>
Install Fee:	\$450.00	<b>POSIM</b>
<b>Total Due:</b>	\$	

\*\*\*\*\* **FOR OFFICE USE ONLY** \*\*\*\*\*

Customer #: \_\_\_\_\_ Service Location #: \_\_\_\_\_ Work Order #: \_\_\_\_\_

PAID BY:  CASH  CHECK# \_\_\_\_\_  Money Order \_\_\_\_\_

## New Kent County Department of Public Utilities IRRIGATION SYSTEM REQUIREMENTS

Irrigation system requirements are to ensure conformance with the New Kent County Code (<http://www.co.new-kent.va.us/servicesonline.php>) and the County's Water Conservation & Management Plan (<http://www.co.new-kent.va.us/publicutilities/index.php>).

Please note that irrigation (a.k.a. companion or exclusion) meters are not approved for all developments. County Ordinances still apply for all irrigation system installations. Prior to approving an irrigation system, the following will be required:

### **NEW OR EXPANDED IRRIGATION SYSTEMS**

Irrigation system design approval by the Department of Public Utilities (per New Kent County Code Sec 38-138) to include:

- Installer's & Customer/Owner's contact information (company name, address, phone, email)
- A simple site plan, with approximate scale, showing location of ASSE-approved backflow prevention device (County Code Sec 38-135), rain sensor and customer owned volume or run time meter (County Code Sec 98-871), all lines & fixtures and spray patterns. The plan should show pertinent site features (structures, roads, driveways, sidewalks, etc). Overspray on impermeable surfaces (driveway, sidewalk, street, structures) will not be approved. Irrigation lines and fixtures should not be installed in the utility easement or right-of-way.
- A copy of the New Kent County Plumbing Permit Application for inspection of the backflow prevention device (contact Building Development at 804 966-9680)
- A design which can be expected to operate at a flow of 150 gallons per day or less

### **EXISTING IRRIGATION SYSTEMS**

- A copy of the New Kent County Plumbing Permit inspection of the backflow prevention device (contact Building Development at 804 966-9680).
- Visual inspection of the rain sensor and customer owned volume or run time meter by DPU (County Code Sec 98-871). A satellite control system or soil moisture sensor may be approved in place of the rain sensor. This inspection will be performed at the time of meter installation.

# Residential Companion Meter Materials List

3/4" Type K Seamless Copper Tubing (or County approved equal)

3/4" Brass Compression Tee (No Lead)

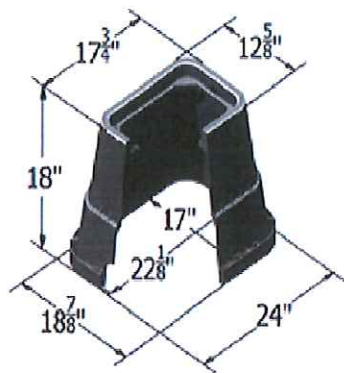
Meter Setter: Ford 70 Series Coppersetter (VB72 9w 44 33 Q NL Style)

See Standard Detail 172

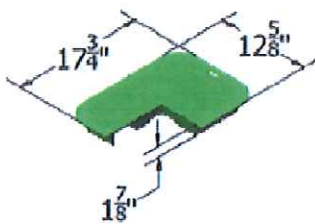
Meter Box: Carson 1520-18 Body Black 2 MSHI (or County approved equal)

Black Box and Black Cover

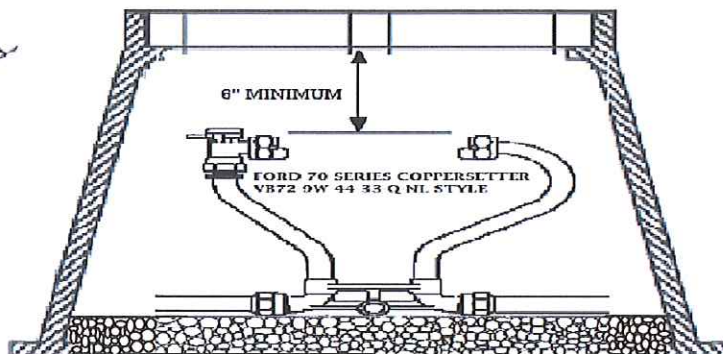
NOTE: ALL METER BOXES MUST BE INSTALLED TO FINAL GRADE. NO WATER METERS WILL BE INSTALLED FOR ANY LOT WHERE THE METER BOX IS NOT TO GRADE.



1520-18 HDPE  
BLACK



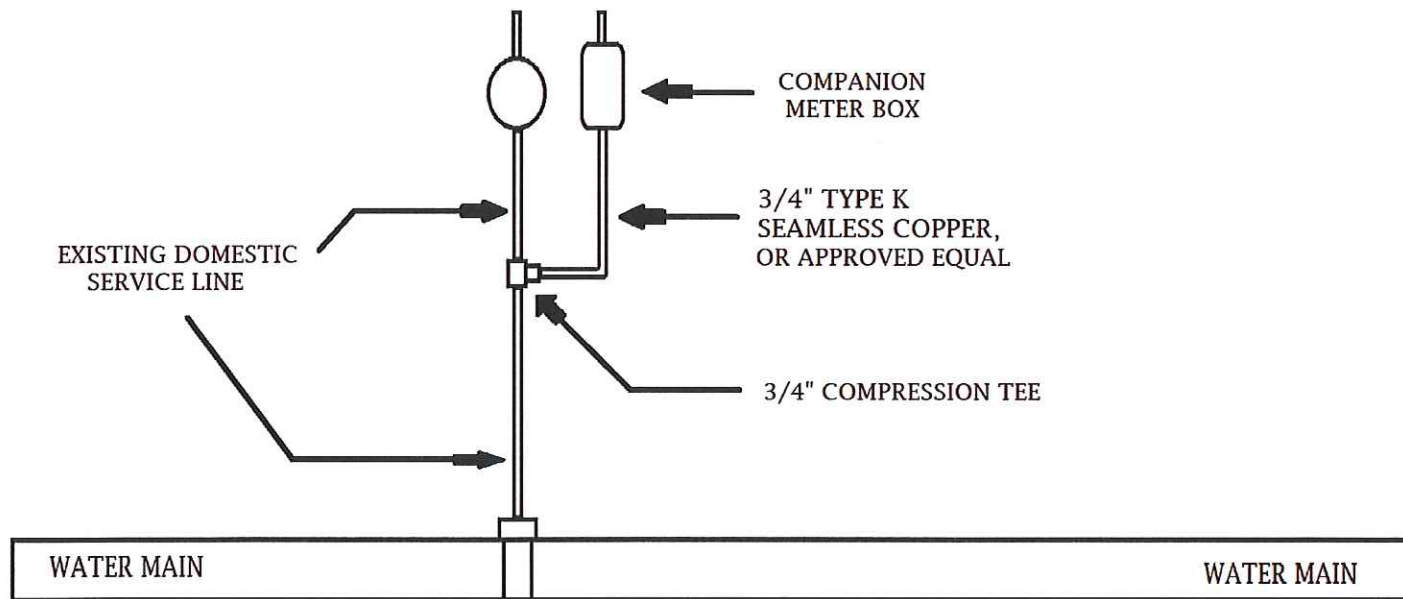
1520 T COVER HDPE  
BLACK



COMPANION METER BOX  
WITH COPPER SETTER

(FOR SETTER DETAILS SEE  
STANDARD DRAWING 172)

18" MINIMUM BETWEEN  
METER BOXES



REVISIONS  
MARCH 2017  
New Kent  
COUNTY  
VIRGINIA

# COMPANION METER BOX-3/4"

DRAWING NO.

179