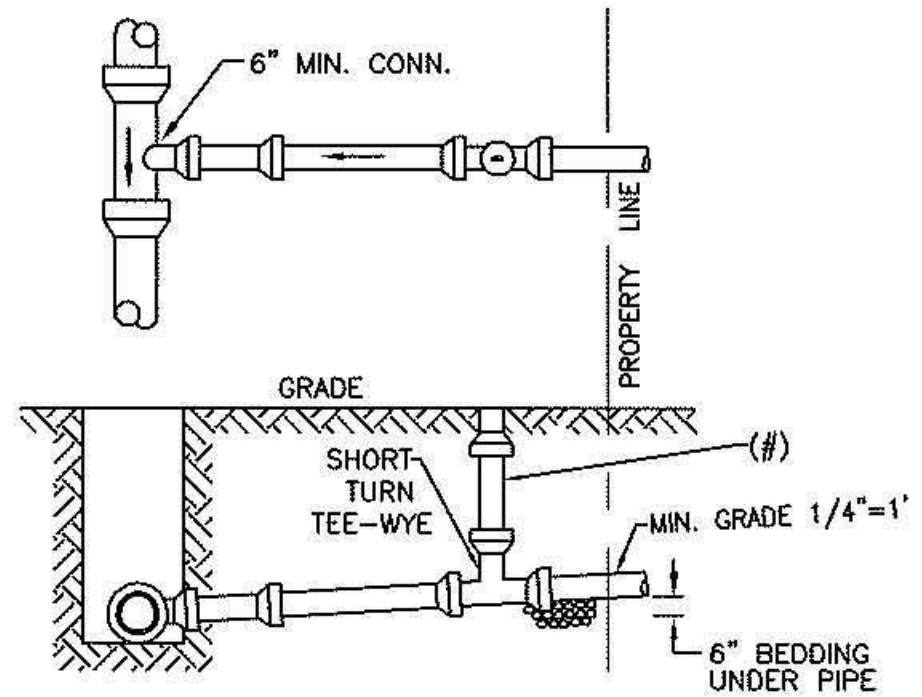


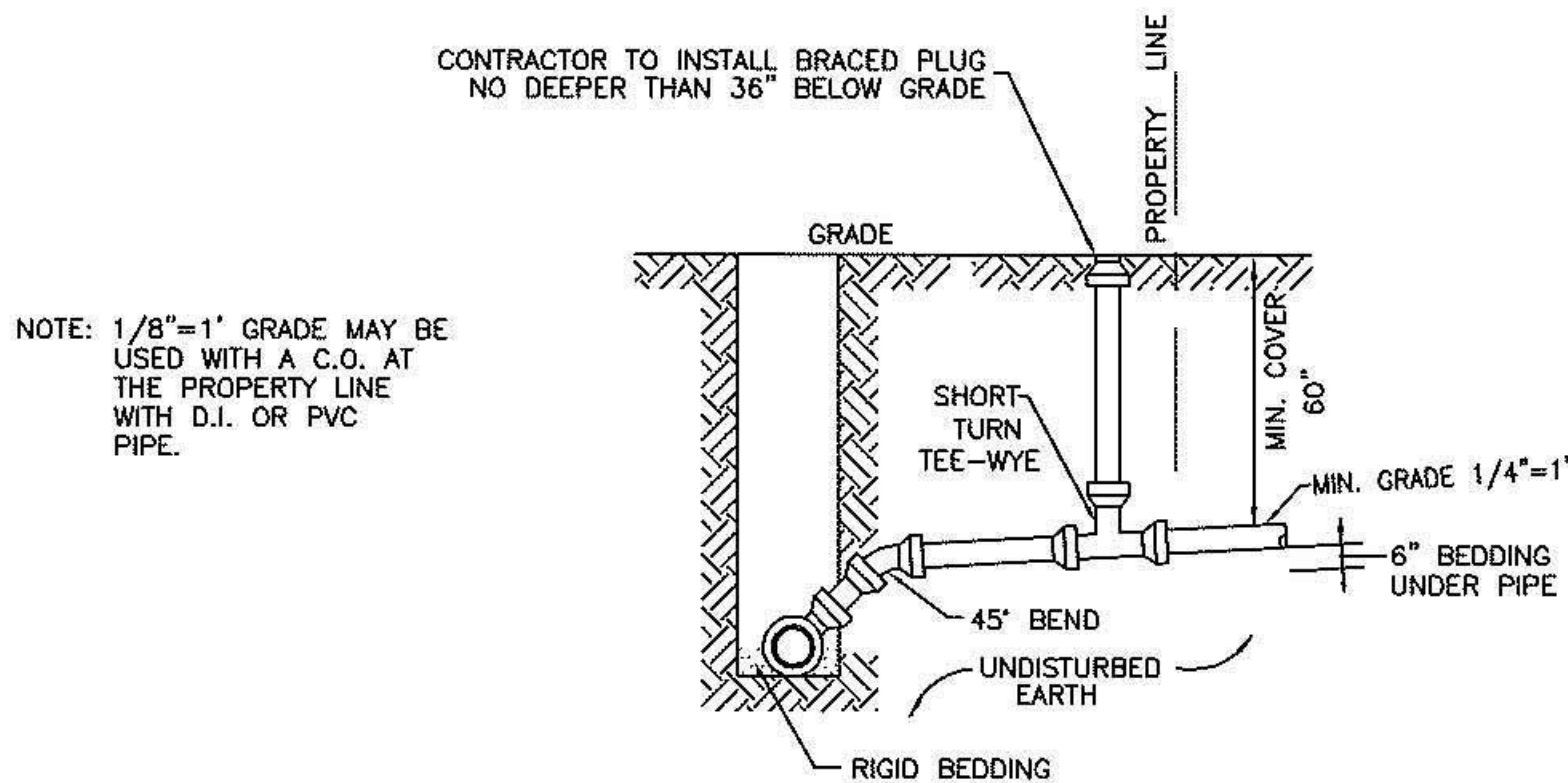
DITCH CROSSING
A



STANDARD HOUSE CONNECTION
B

Note: Sewer Clean-Out
Box & Cover Required.

See Standard Detail 472



"TEE" BRANCH CONNECTION W/45° BEND
C

NOTE: ATTACH 12 GAUGE INSULATED TRACING WIRE TO SERVICE CONNECTION AT MAIN. RUN WIRE FOR ENTIRE LENGTH OF CONNECTION, UP THE STAND PIPE AND INTO CLEAN OUT BOX.