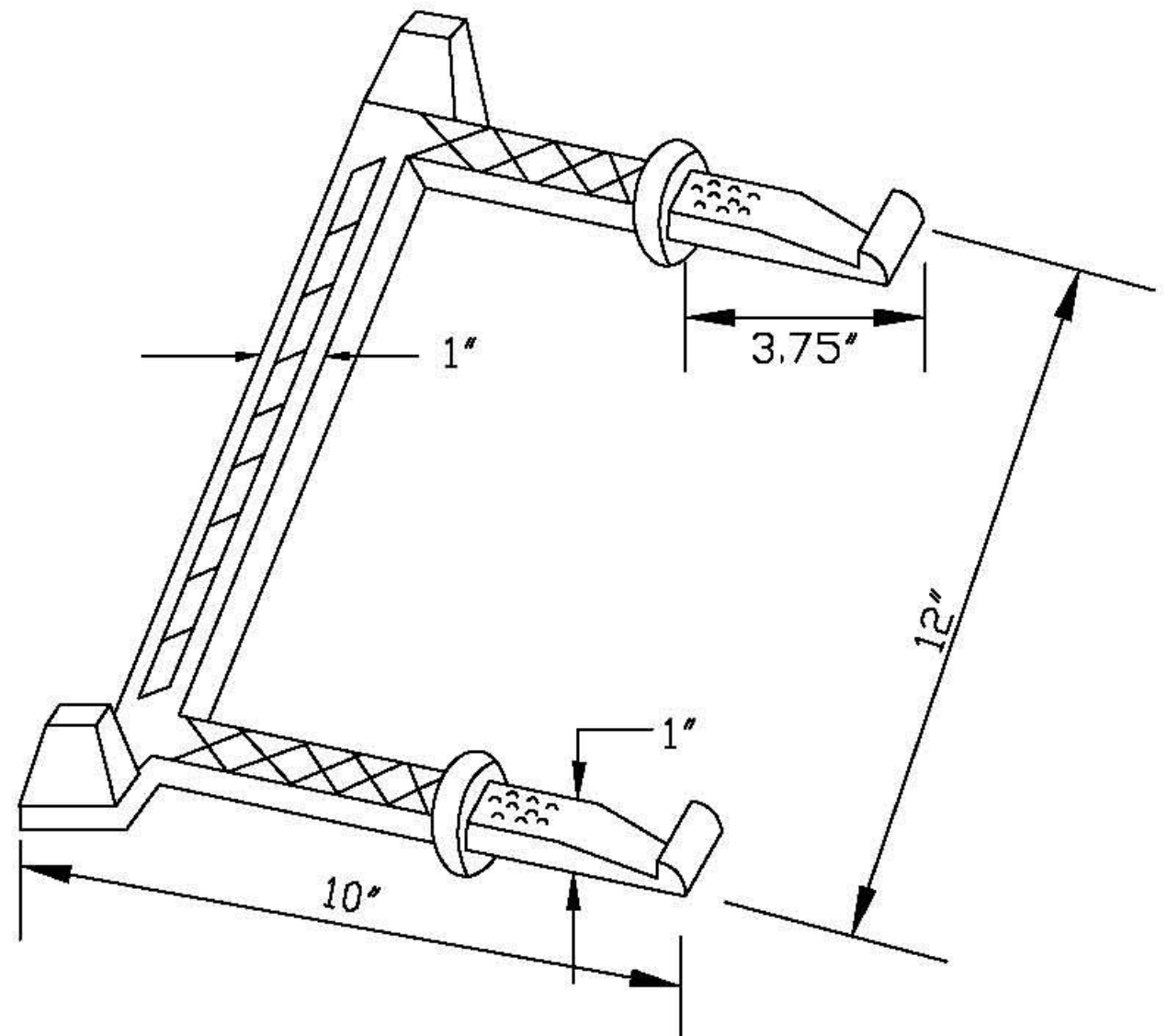


STEP SHALL BE CAST IN PLACE



STEP SHALL BE MADE WITH 3/8" STEEL REINFORCING BAR ENCAPSULATED IN POLYPROPYLENE PLASTIC.