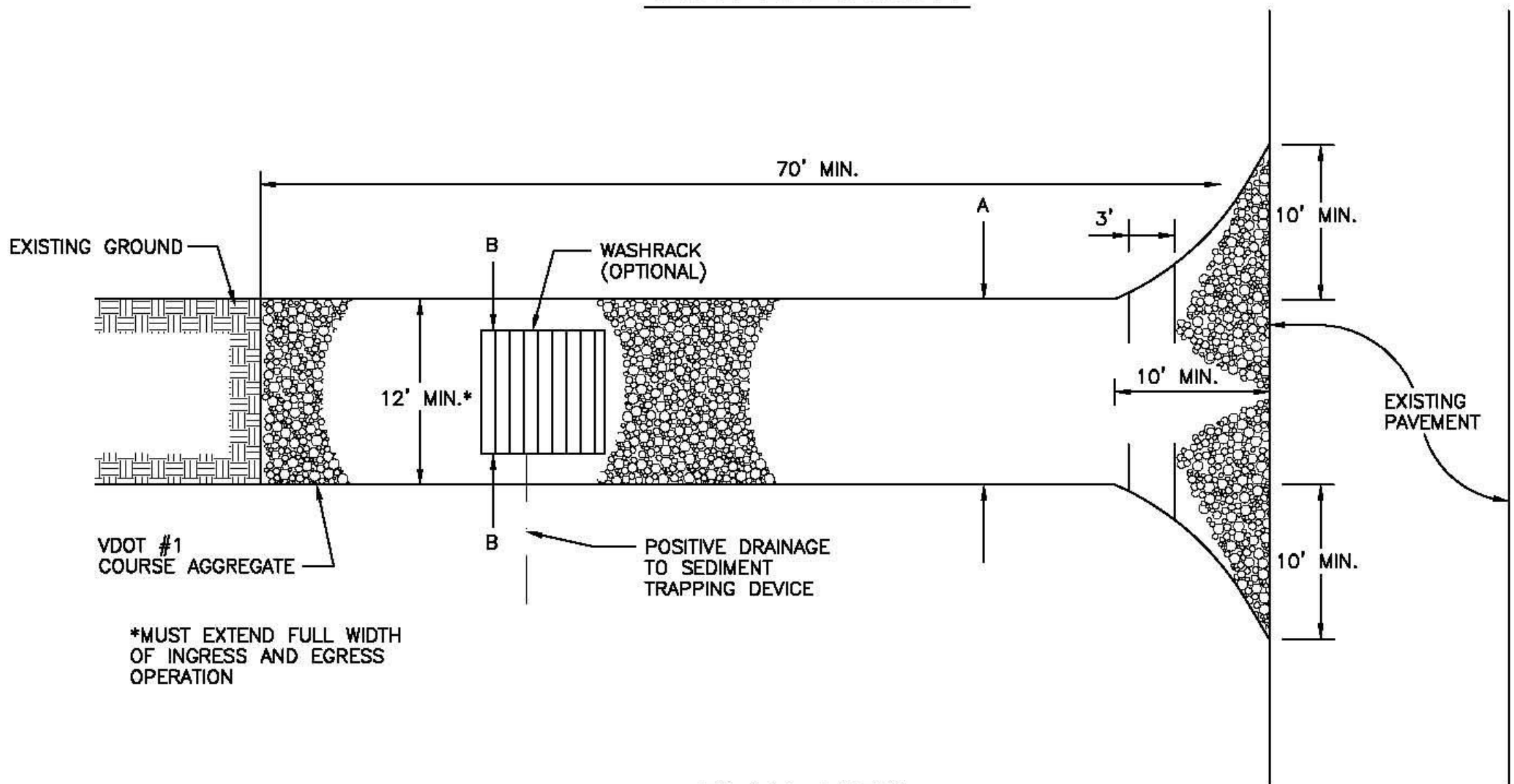
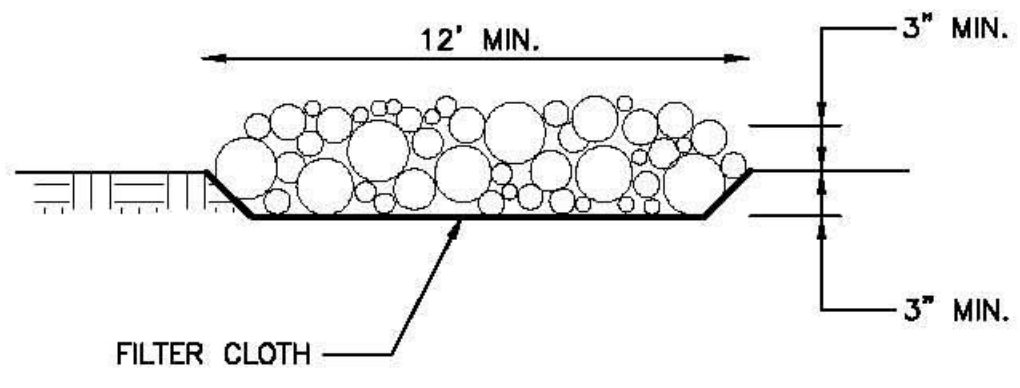


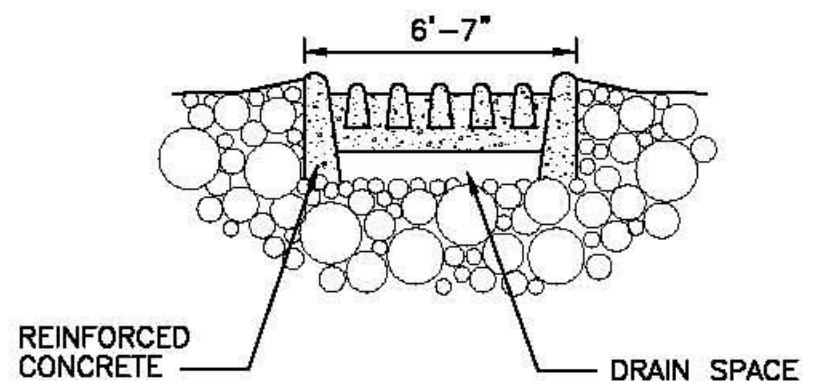
SIDE ELEVATION



PLAN VIEW



SECTION A-A



SECTION B-B

REVISIONS

STONE CONSTRUCTION ENTRANCE

DRAWING NO.
500